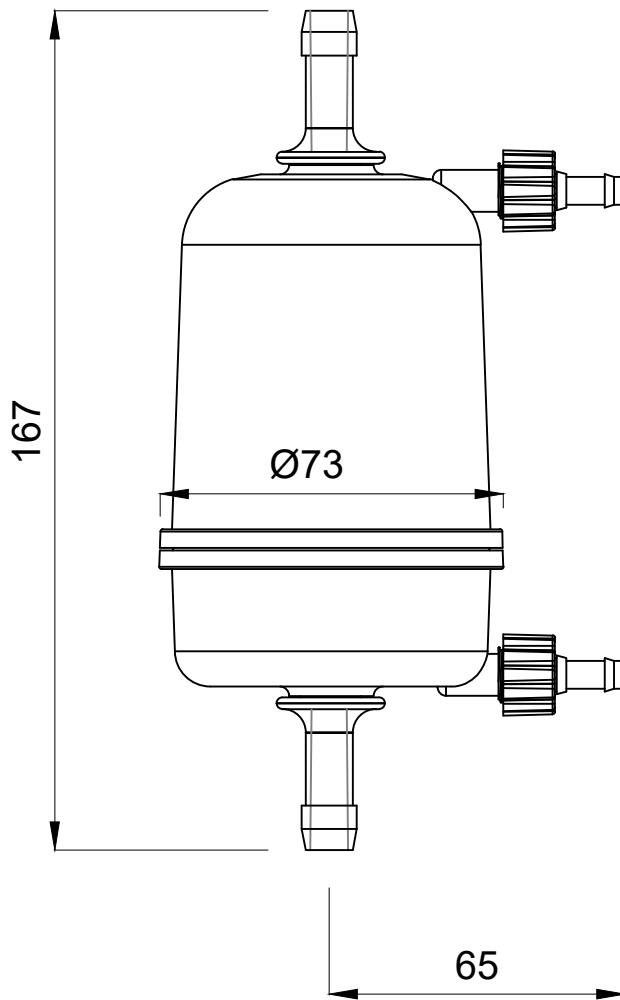


DO NOT SCALE THE DRAWING
 ALL DIMENSIONS ARE IN mm



PART	QUANTITY	REF. NO.	DESCRIPTION	MATERIAL	FINISHED SIZE	HARDNESS	REMARK

REV. NO.	ECN. NO.	DATE	DESCRIPTION	REV. NO.	ECN. NO.	DATE	DESCRIPTION

mdi Advanced Microdevices Pvt. Ltd. 20, 21, Industrial Area , Ambala Cantt., 133006		SCALE	PROJ.	DATE	SIGN.	TOLERANCE UNLESS SPECIFIED					
5" Capsule Filter With 3/8" Single Step Hose Barb I/O	REV. NO.		FORMAT NO. 5	NONE	DRAWN		1Dec.PI	2Dec.PI	3Dec.PI	4Dec.PI	
					DESIGNED		C	A±0.100	A±0.050	A±0.025	A±0.010
					CHECKED		T	A±0.050	A±0.025	A±0.010	A±0.000
					APPROVED		S				
				ANGLE	A±2°	A±2°	A±2°	A±2°			

TOOL No.	COMP. No.	STORE No.	SHEET 1 OF 1
----------	-----------	-----------	--------------